

PMAC770H Multifunction Power Meter

Features

- ◎ 0.5S/0.2S Measurement Accuracy
- ◎ 31st / 63rd Harmonic analysis, Voltage deviation, Frequency deviation, Unbalance, Current K factor, fluctuation and flicker, transient disturbances
- ◎ Monthly Maxim Demand Statistic
- ◎ Device Running Time Statistic
- ◎ Current 5A / 1A settable
- ◎ LV/MV voltage system, Rated 3×57.7/100V & 3×220/380V

Main Functions

- ◎ Full power measurement: three-phase and total Voltage, Current, Active Power, Reactive Power, Apparent Power, Power Factor
- ◎ Electric energy metering: Dual electric energy, historical energy, multi-rate energy, Four-quadrant energy*
- ◎ Demand measurement: Real-time demand, Maximum Demand, Monthly maximum demand
- ◎ Power Quality: 31st/63rd harmonic analysis, Voltage Deviation, Frequency Deviation, Unbalance, Current K factor, Voltage crest factor, Fluctuation and Flicker, Transient, support Fault Recording (256 points/cycle)*
- ◎ Alarms: Overvoltage, Undervoltage, Overcurrent, Undercurrent, Phase loss, Frequency overvoltage, Frequency Low Level, Power High Level, switch action 73 alarms*
- ◎ Data record: Historical Energy, Monthly maximum demand, Electric parameters maximum value
- ◎ Event log: Event log with time stamp
- ◎ Ethernet: 10M/100M auto-negotiation*
- ◎ Display: 3.5-inch LCD display, Chinese and English menus, Voltage and Current waveform display, Harmonic histogram display*
- ◎ Communication: Standard 1xRS485 communication port, Modbus-RTU protocol
- ◎ DI Input: With 3xDI as standard (external power supply), 8-way active switching value or passive switching value input is optional
- ◎ Relay Output: Maxim 4 DO can be selected
- ◎ Analog Input: 4 channel 4-20mA input can be selected
- ◎ Analog Output: 4 channel 4-20mA output can be selected
- ◎ Pulse Output: 2 channel pulse output can be selected

Technical Specification

	Specification	Description
Rated Working Parameters	Rated Power Supply	AC85-265V~50/60Hz or DC100-300V
	Power Consumption	<10VA
	Rated Input Current	5A (Compatible 1A)
	Rated Input Voltage	3x57.7/100V、3x220/380V 40Hz~70Hz
	DI Input [External Power Supply]	External provide power supply 220Vac±35%, 220Vdc±35%
	DI Input [Internal Power Supply]	PMAC770H internal power supply, 30VDC
	Relay Output	Capacity:250Vac/5A, 30Vdc/5A

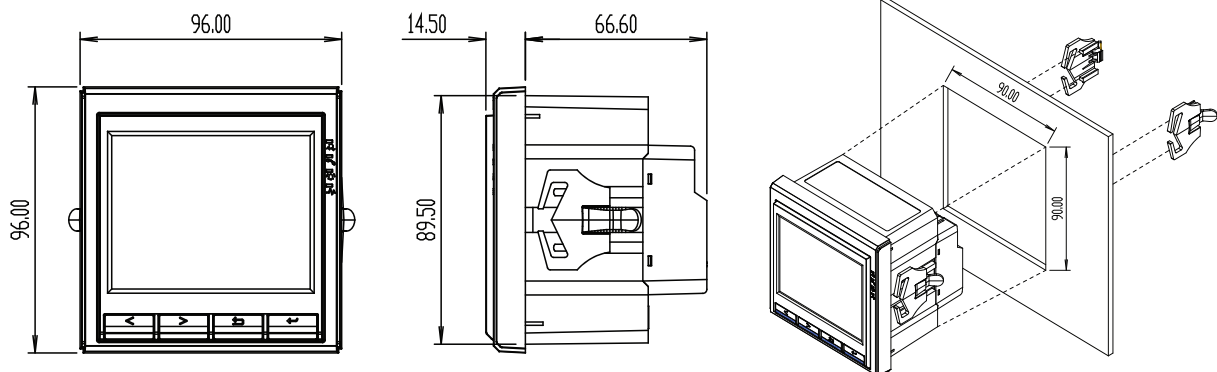
	Specification	Range	Accuracy
Parameter Accuracy	Direct input Voltage	Phase-Phase 10V~400V / Phase-N 10V~690V	0.1%/0.2%
	Primary Voltage	Max. 650kV	--
	Direct input Current	5mA~6.5A	0.1%/0.2%
	Primary Current	Max. 50000A	--
	Frequency	35Hz-65Hz	0.1%

EMC	Working Environment	Temperature: -25℃ - +70℃, Humidity: 5%~95%, no condensation
	Insulation properties	Power Frequency withstand Voltage 4000VAC, Insulation Resistance≥ 100MΩ
	IP Level	Front Case: IP54

	Item	Reference Standard	Level
Electromagnetic compatibility	Electrostatic discharge immunity	GB/T17626.2-2006(IEC61000-4-2:2001)	Level 4
	Radio frequency electromagnetic radiation immunity	GB/T17626.3-2006(IEC61000-4-3:2002)	Level 4
	Fast transient burst immunity	GB/T17626.4-2008(IEC61000-4-4:2006)	Level 4
	Surge immunity	GB/T17626.5-2008(IEC61000-4-5:2005)	Level 4
	Immunity to Conducted Disturbances Induced by RF Fields	GB/T17626.6-2008(IEC61000-4-6:2006)	Level 3
	Electromagnetic Emission Limits	GB 9254-2008(CISPR22: 2006)	Class B

Installation

Unit: mm



Front: 96.0*96.0*13.5mm, Cut Size: 89*89*66.6mm

Suggest cut size: 90.0*90.0mm