



Recorder



Flow



Pressure



Temp



Analyzer



Level

Datasheet

Pressure Transmitter

PM356

Supmea[®]

Committed to process automation solutions

Tel: 86-15158063876

E-mail: info@supmea.com

www.supmea.com

Datasheet**Pressure Transmitter
PM356**

PM356 Series pressure transmitter is kind of device based on pressure layer, which inside expert integrate circuit can transform sensor milli-volt signal to standard far distance transmission current signal, and it can be directly joined with computer joint clip, control instrument ,aptitude instrument or PLC etc. conveniently.

Applications

- Industrial process control
- Petroleum industry
- Chemical industry
- Paper industry
- Metallurgy

**Features**

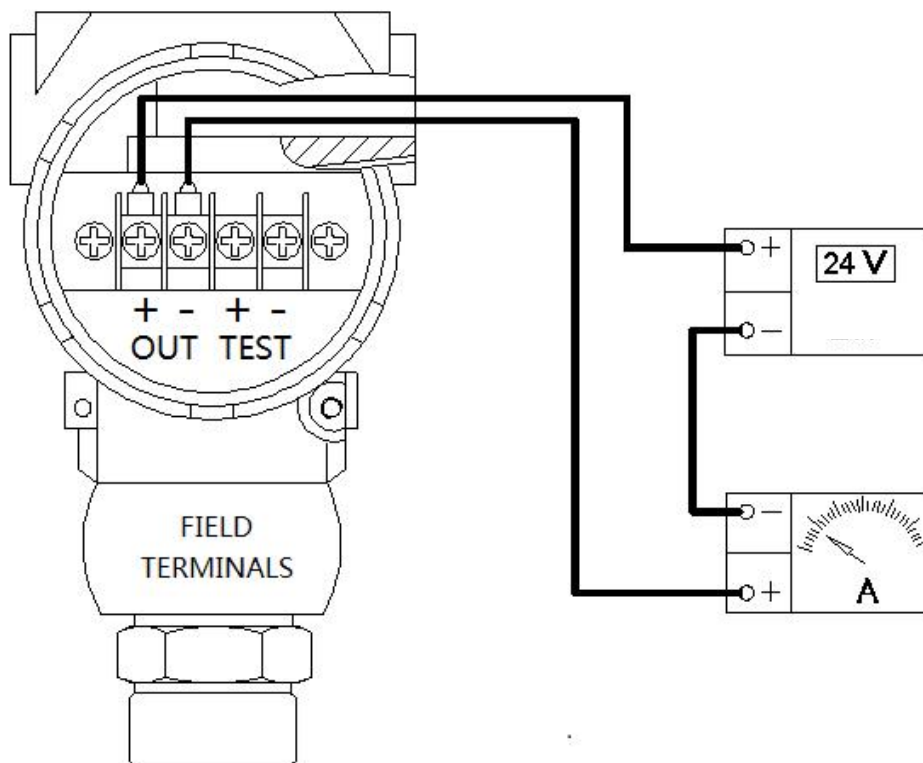
- The physical volume small, the weight is light.
- Work in the causticity environment.
- Ingress protection up to IP65.
- The whole stainless steel seals completely the structure,have the very high anti- to flap to pound at the function with anti.

Pressure Transmitter

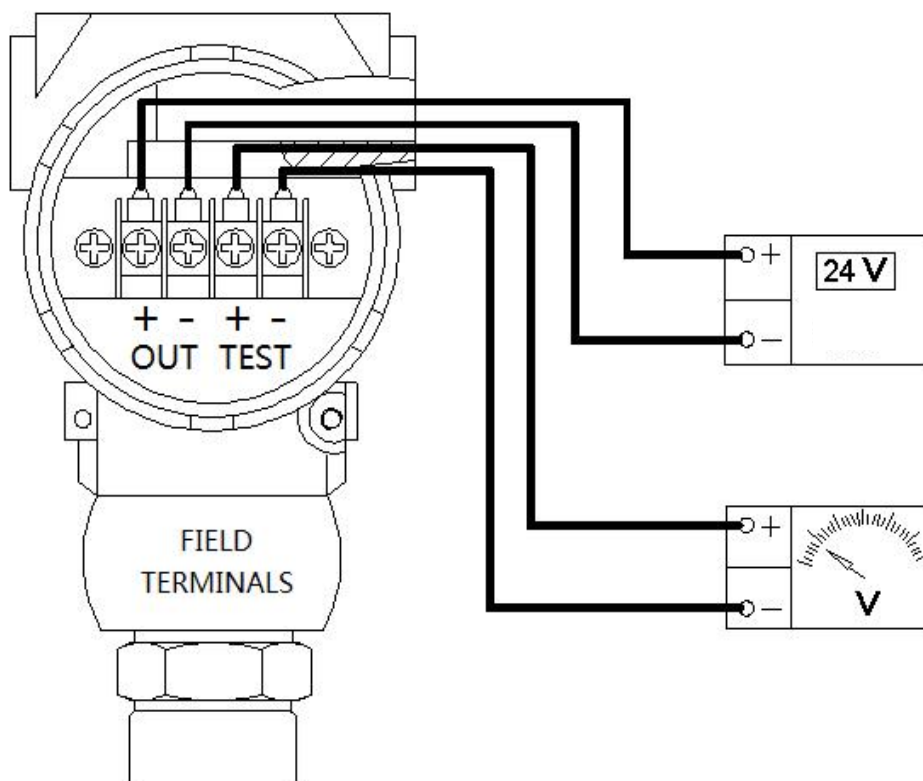
Parameters	
Power Supply	12V~32V ((4~20) mA , with display)
	10V~32V ((4~20) mA+RS485, with display)
	9V~32V ((4~20) mA, without display)
Output	(4~20)mA;(1~5)V;(0~10)V;(0~5)V;RS485
Accuracy	0.2%、0.25%、0.5%
Measurement range	-0.1...0...60Mpa
Pressure type	Gauge pressure, adiabatic pressure and sealed pressure
Compensation temperature	-10℃~70℃
Working temperature	-20℃~85℃
Medium temperature	-20℃~85℃
Storage temperature	-40℃~85℃
Zero-point temperature drift	±0.3%FS/10℃
Sensitivity temperature drift	±0.3%FS/10℃
Overload pressure	(0.035~10)MPa (150%FS) ; (10~60)MPa (125%FS)
Long-term stability	±0.2%FS/year
Response time	RS485 output≤100ms (up to 90%FS)
	Current and Voltage output≤10ms (up to 90%FS)
Insulation	20MΩ/250VDC
Ingress protection	IP65
Load Resistance	(U-9V)/0.02A

Wiring

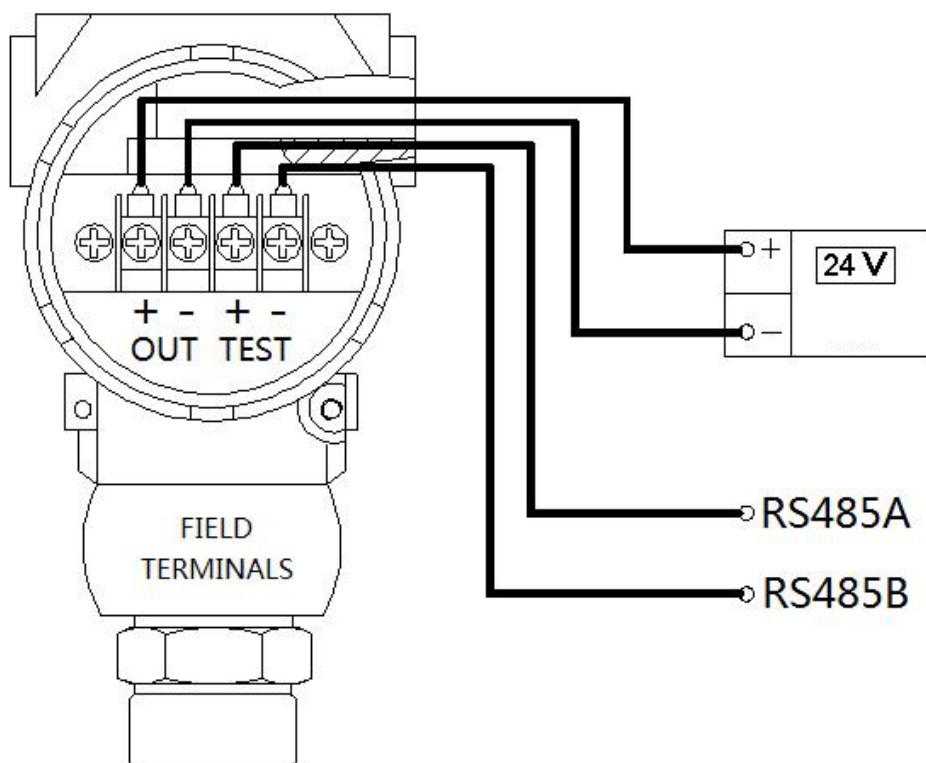
■ Current output



■ Voltage output

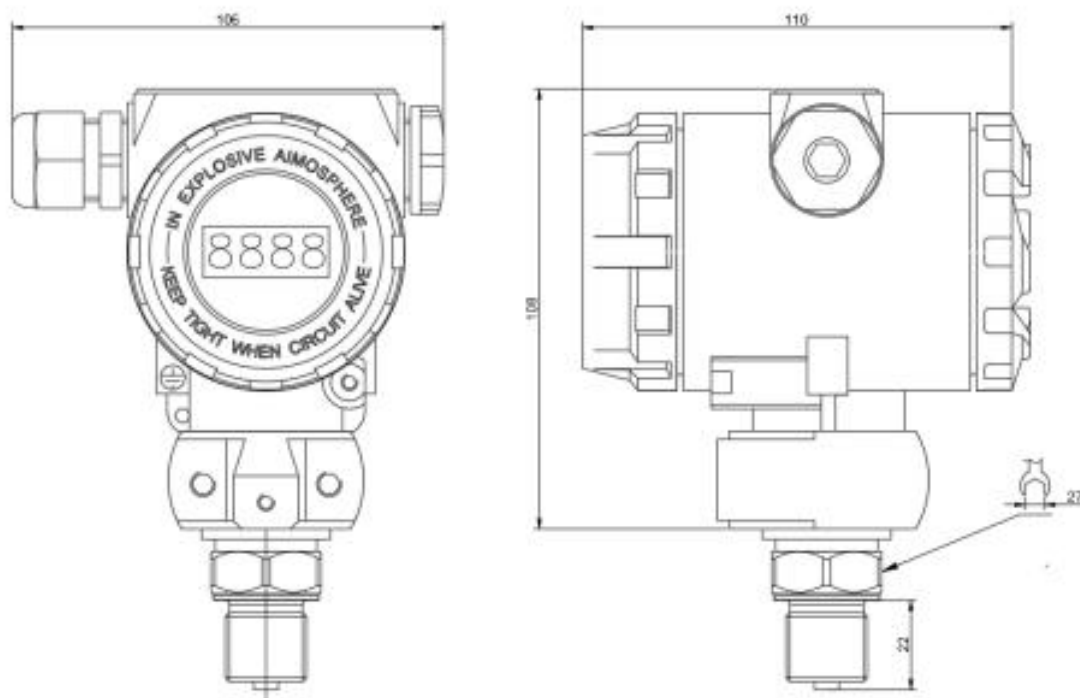


■ RS485 output



Dimension

■ PM356 with display



Ordering code

PM356-G-1A-F-A1-L2-A-W1												Description	
PM356	-	-	-	-	-	-	-	-	-	-	-	-	
Pressure Type	G												Gauge pressure
	A												Adiabatic pressure (0-30kPa to 1MPa only)
Measuring range		1A											-100-0kPa
		1B											-100-100kPa
		1C											-100-1000kPa
		1L											0-10kPa
		1M											0-20kPa
		1N											0-30kPa
		1Q											0-50kPa
		1S											0-100kPa
		2A											0-0.6MPa
		2B											0-1MPa
		2C											0-1.6MPa
		2D											0-2.5MPa
		2E											0-4MPa
		2H											0-10MPa
		2K											0-20MPa
		2L											0-25MPa
		2M											0-30MPa
		2N											0-40MPa
	2P											0-60MPa	
	XX												Other
Accuracy		K											0.5 Class
		G											0.25 Class <100kPa not selectable
		F											0.2 Class <100kPa not selectable
Output and Power Supply			A1										Two-Wire 4-20mA
			A2										1-5V,24VDC
			A3										0-10V,24VDC
			A4										0-5V,24VDC
			A5										RS485,24VDC
			A9										4-20mA+RS485,24VDC
		XX										Other	
					0								0piece (Recommended temperature 80°C)

Radiating Fin	3				3piece (Recommended temperature 80°C)
	5				5piece (Recommended temperature 80°C)
	7				7piece (Recommended temperature 80°C)
	X				Other
Thread Type	L2				M20×1.5
	G2				G1/2
	G1				G1/4
	NA				NPT1/4
	NC				NPT1/2
	L3				M27×2
	L1				M14×1.5
	AK				Clamp×2
	XX				Other
	Diaphragm and Thread Type Material		A		
		B			SS316L,SS316L
		X			Other
Electrical Interface, Housing Material, and Ingress Protection			W1		M20×1.5 Cable Gland,Aluminum Alloy, IP65
Display type				0	No
				1	Yes