

DYZL-107 Roll-type tension sensor



Features:

- High stability
- Different specifications of pulleys can be installed
- easy to assemble
- Anti-interference signals are stable
- Quality stainless steel
- widely used in fiber, yarn, cable, tape, etc All kinds of wire production equipment. For the dynamic measurement of the tension.

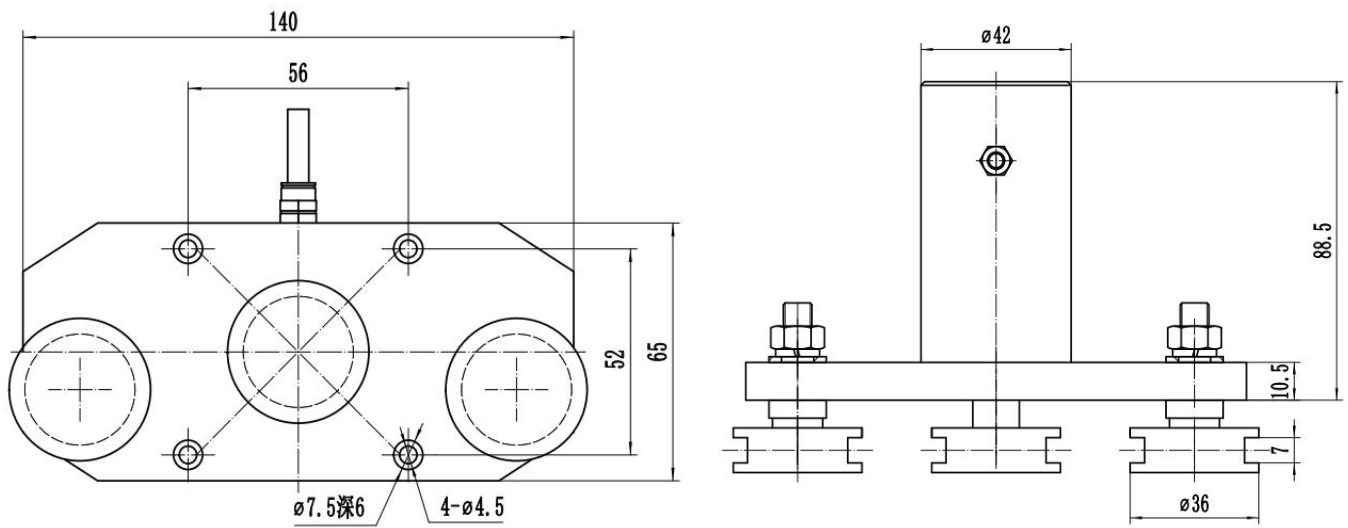
qualification		
Rated quantitative schedule	N	20-300
Output sensitivity	mV/V	2.0±0.1%
Zero point output	%F. S.	±1
Non-linear	%F. S.	0.1
lag	%F. S.	0.1
Repeatability	%F. S.	0.1
Creep (30 min)	%F. S.	0.1
Temperature sensitivity drift	%F. S. /10°C	0.05
Zero temperature drift	%F. S. /10°C	0.05
Response frequency	Hz	1k
Material		42CrMoA
impedance	Ω	350
Insulation resistance	MΩ/100V DC	≥5000
Use voltage	V	5-15
Operating temperature range	°C	-20-80
Safety overload	%R. C.	150
Extreme overload	%R. C.	200
Cable line specifications	m	Φ5*3m
Cable limit pull force	N	98
TEDS		selectable

- 1) High temperature sensors are available, with a maximum operating temperature of 150°C.
- 2) High impedance sensors can be provided with an output impedance of 1000 Ω.

Product Size Fig

Unit:

mm



Range (kg)	2	5	10	20	30	50	100
------------	---	---	----	----	----	----	-----

force diagram

It can be customized with non-standard for various pulleys

