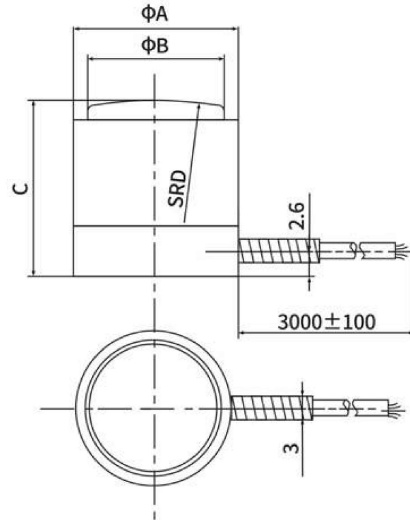


# DYZ-103 Column type load cells



## Product Reviews

### Characteristic

This product is simple in structure, and the cost is low. The design of the sealing diaphragm changes the tedious process of supporting the shell in the past, overcomes the defect that the shell of the traditional sensor is easily damaged due to deformation, and greatly improves the sealing performance of the

sensor. Compared with the traditional column sensor, the sensor of this structure achieves relatively high accuracy in terms of linear, side resistance, torsion resistance, orientation error and so on.

### Application Area

- This small size is suitable for the production and testing stages of 3C digital products.
- Traditional column sensors are widely used in various rail weighing scale, hopper scale, platform scale and other electronic weighing equipment.

Parameters Table

Range	0-150kN	Material quality	Stainless Steel
Output sensitivity	1.0-1.5mV/V	Impedance	350Ω
Zero point output	±2%F.S.	Insulation resistance	≥5000MΩ/100VDC
Nolinear	0.5%F.S.	Service voltage	5-15V
Hysteresis	0.1%F.S.	Operating temperature range	-20-80°C
Repeatability	0.1%F.S.	Safe overload	150%
Creep (30 min)	0.1%F.S.	Extreme overload	200%
Temperature sensitivity drift	0.05%F.S./10°C	Cable line specifications	φ2x2m
Xero point temperature drift	0.05%F.S./10°C	Cable limit tension	10kg
Response frequency	10kHz	TEDS	

Range (kN)	A	B	C	D
10/20	16	14	15	50
50/75	22.4	20.4	22.4	100
100/150	31.8	28.9	28.7	125