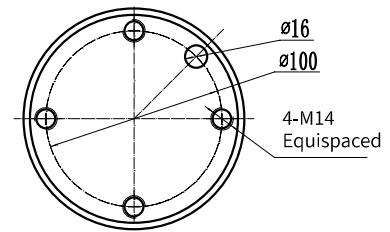
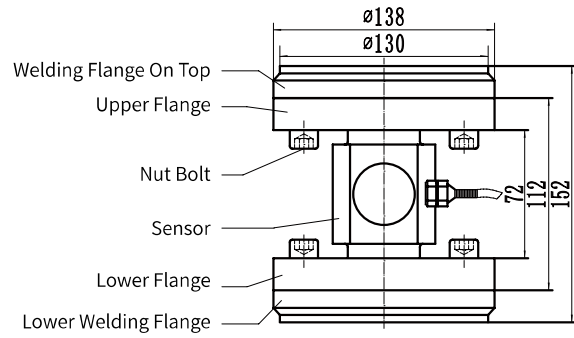


DYZ-013 Column type load cells



Product Reviews

Characteristic

The upper and lower flanges are fixed, compact structure, high comprehensive accuracy, good long-term stability, high quality alloy steel surface nickel plating.

Application Area

- rail weighbridge
- The bucket scale
- Platform scale and other electronic weighing equipment

Parameters Table

Range	0-30T	Material quality	Alloy Steel
Output sensitivity	1.0-2.0±0.05mV/V	Impedance	350Ω
Zero point output	±1%F.S.	Insulation resistance	≥5000MΩ/100VDC
Nonlinear	0.1%F.S.	Service voltage	5-15V
Hysteresis	0.1%F.S.	Operating temperature range	-20-80°C
Repeatability	0.05%F.S.	Safe overload	150%
Creep (30 min)	0.05%F.S.	Extreme overload	200%
Temperature sensitivity drift	0.05%F.S./10°C	Cable line specifications	φ5x3m
Xero point temperature drift	0.05%F.S./10°C	Cable limit tension	10kg
Response frequency	10kHz	TEDS	

Range (T)

5

10

20

30