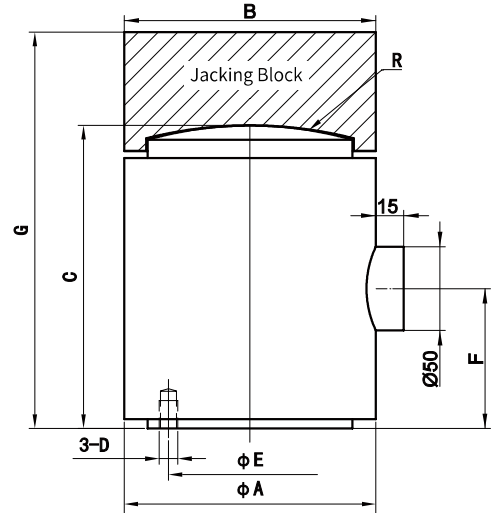


DYZ-011 Column type load cells



Product Reviews

Characteristic

Low height, large contact area, high comprehensive precision, easy to installation. Different scales and sizes can be customized.

Application Area

It is mainly used in electronic weighing equipment and pull pressure detection equipment with large pressure area, such as:

- Pressure equipment
- Mobile phone assembly
- Small pressure platform
- tester
- Pressure installed capacity
- hydraulic press
- Cold hot press
- Electronic hook scale, hopper scale, etc

Parameters Table

Range	0-1000T	Material quality	Alloy Steel
Output sensitivity	2.0/3.0±10% mV/V	Impedance	700 Ω
Zero point output	±2%F.S.	Insulation resistance	≥5000M Ω /100VDC
Nolinear	0.3%F.S.	Service voltage	5-15V
Hysteresis	0.1%F.S.	Operating temperature range	-20-80 $^{\circ}C$
Repeatability	0.1%F.S.	Safe overload	150%
Creep (30 min)	0.05%F.S.	Extreme overload	200%
Temperature sensitivity drift	0.05%F.S./10 $^{\circ}C$	Cable line specifications	ϕ 5x3m
Xero point temperature drift	0.05%F.S./10 $^{\circ}C$	Cable limit tension	10kg
Response frequency	10kHz	TEDS	

Range (T)	Φ a	Φ B	C	D	E	R	G	F
2-20	54	54	65	M4	35	80	85	30
30-50	78	78	100	M6	55	100	125	47
60-100	98	98	110	M6	75	120	140	55
200	128	128	140	M6	100	200	180	70
300	154	154	170	M8	120	300	215	85
500	196	196	220	M10	150	400	275	110
700-1000	246	246	282	M16	190	500	352	132