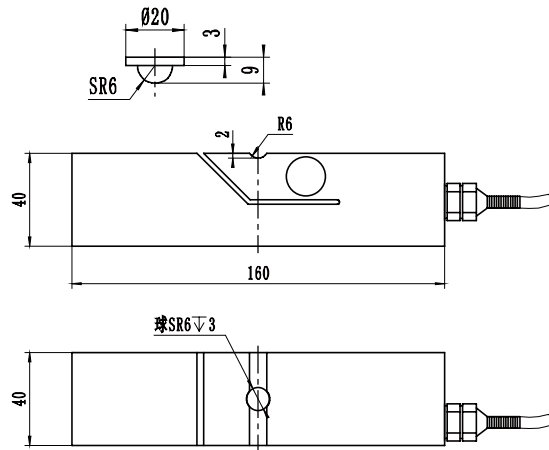


# DYX-309 Shear beam load cells



## Product Reviews

### Characteristic

The sensor adopts shear beam structure, low shape, lateral force resistance, anti-interference ability, linear and long-term stability.

### Application Area

- This sensor is used in the cement antifolding testing machine. Cement folding testing machine is a device for measuring the bending strength of cement, concrete, and other materials. It is usually composed of a support frame and a pressure device. Pressure can be applied at different angles to measure the bending strength of the material.

Parameters Table

Range	0-10kN	Material quality	Alloy Steel
Output sensitivity	2.0±0.05mV/V	Impedance	350Ω
Zero point output	±1%F.S.	Insulation resistance	≥5000MΩ/100VDC
Nolinear	0.05%F.S.	Service voltage	5-15v
Hysteresis	0.05%F.S.	Operating temperature range	-20-80°C
Repeatability	0.05%F.S.	Safe overload	120%
Creep (30 min)	0.05%F.S.	Extreme overload	200%
Temperature sensitivity drift	0.05%F.S./10°C	Cable line specifications	φ5x3m
Xero point temperature drift	0.05%F.S./10°C	Cable limit tension	10kg
Response frequency	10kHz	TEDS	

### Range (kN)

6

10