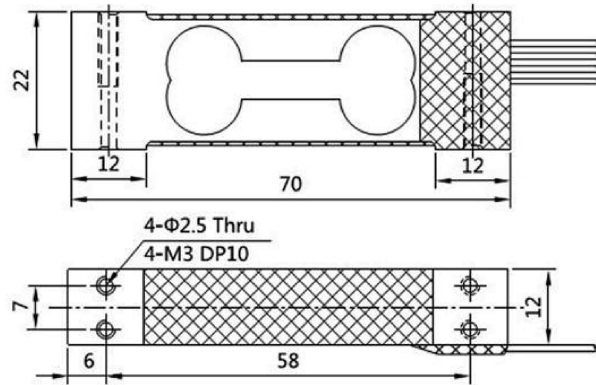


# DYX-306A Shear beam load cells



## Product Reviews

### Characteristic

The cantilever beam weighing sensor is also known as the shear beam weighing sensor. It has the characteristics of simple structure, convenient installation, reliable use, long service life, and high cost-effectiveness.

### Application Area

- Automobile scale and main laying axle load gauge in highway weighing equipment.
- Small scale and platform scales, steel cylinder scales, and other fields in industrial scales.
- Generally, three or four sensors are used as a group.

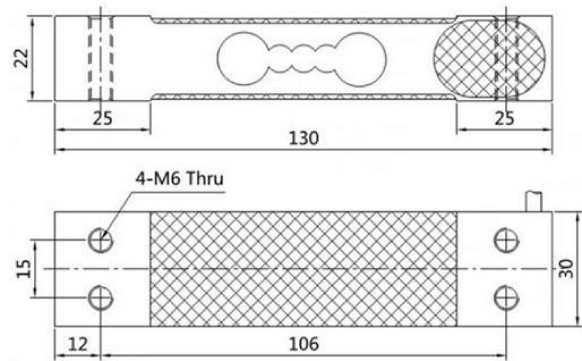
Parameters Table

Range	0-2kg	Material quality	Alufer
Output sensitivity	2.0±0.05mV/V	Impedance	350Ω
Zero point output	±1%F.S.	Insulation resistance	≥5000MΩ/100VDC
Nolinear	0.02%F.S.	Service voltage	5-15V
Hysteresis	0.03%F.S.	Operating temperature range	-20-80°C
Repeatability	0.02%F.S.	Safe overload	150%
Creep (30 min)	0.03%F.S.	Extreme overload	200%
Temperature sensitivity drift	0.03%F.S./10°C	Cable line specifications	φ5x3m
Xero point temperature drift	0.03%F.S./10°C	Cable limit tension	10kg
Response frequency	10kHz	TEDS	

Range (kg)			
0.3	0.6	1	2

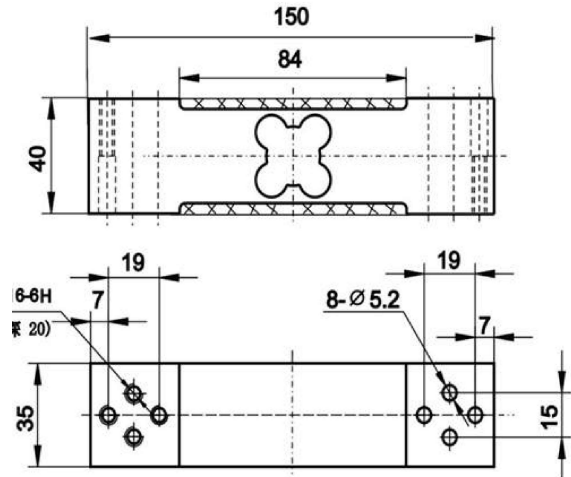
# DYX-306B Shear beam load cells



Parameters Table			
Range	0-40kg	Material quality	Alufer
Output sensitivity	2.0±0.05mV/V	Impedance	350Ω
Zero point output	±1%F.S.	Insulation resistance	≥5000MΩ/100VDC
Nolinear	0.02%F.S.	Service voltage	5-15v
Hysteresis	0.03%F.S.	Operating temperature range	-20-80°C
Repeatability	0.02%F.S.	Safe overload	150%
Creep (30 min)	0.03%F.S.	Extreme overload	200%
Temperature sensitivity drift	0.03%F.S./10°C	Cable line specifications	φ5x3m
Xero point temperature drift	0.03%F.S./10°C	Cable limit tension	10kg
Response frequency	10kHz	TEDS	

Range (kg)				
3	6	10	20	40

# DYX-306C Shear beam load cells



## Product Reviews

### Characteristic

The cantilever beam weighing sensor is also known as the shear beam weighing sensor. It has the characteristics of simple structure, convenient installation, reliable use, long service life, and high cost-effectiveness.

### Application Area

- Automobile scale and main laying axle load gauge in highway weighing equipment.
- Small scale and platform scales, steel cylinder scales, and other fields in industrial scales.
- Generally, three or four sensors are used as a group.

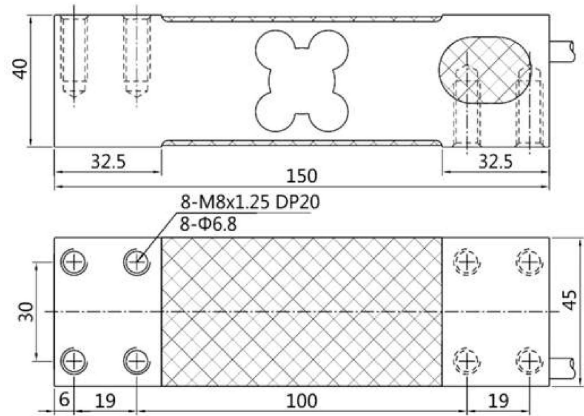
Parameters Table

Range	0-350kg	Material quality	Alufer
Output sensitivity	2.0±0.05mV/V	Impedance	350Ω
Zero point output	±1%F.S.	Insulation resistance	≥5000MΩ/100VDC
Nolinear	0.02%F.S.	Service voltage	5-15v
Hysteresis	0.03%F.S.	Operating temperature range	-20-80°C
Repeatability	0.02%F.S.	Safe overload	150%
Creep (30 min)	0.03%F.S.	Extreme overload	200%
Temperature sensitivity drift	0.03%F.S./10°C	Cable line specifications	φ5x3m
Xero point temperature drift	0.03%F.S./10°C	Cable limit tension	10kg
Response frequency	10kHz	TEDS	

Range (kg)

60	100	200	350
----	-----	-----	-----

# DYX-306D Shear beam load cells



Parameters Table

Range	0-500kg	Material quality	Alufer
Output sensitivity	2.0±0.05mV/V	Impedance	350Ω
Zero point output	±1%F.S.	Insulation resistance	≥5000MΩ/100VDC
Nolinear	0.02%F.S.	Service voltage	5-15v
Hysteresis	0.03%F.S.	Operating temperature range	-20-80°C
Repeatability	0.02%F.S.	Safe overload	150%
Creep (30 min)	0.03%F.S.	Extreme overload	200%
Temperature sensitivity drift	0.03%F.S./10°C	Cable line specifications	φ5x3m
Xero point temperature drift	0.03%F.S./10°C	Cable limit tension	10kg
Response frequency	10kHz	TEDS	

Range (kg)

60	100	200	350	500
----	-----	-----	-----	-----