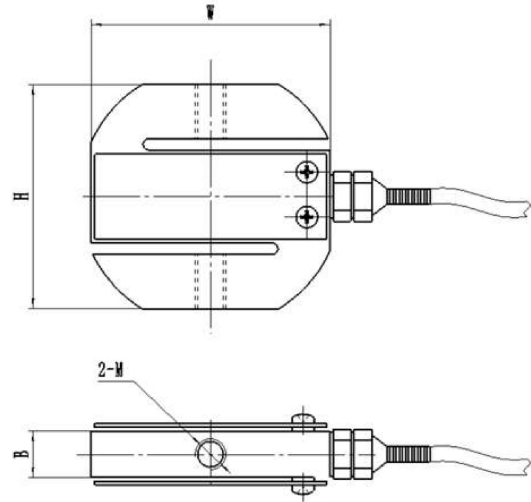


DYLY-102 S type load cells



Parameters Table

| | | | |
|-------------------------------|--------------------------|-----------------------------|----------------------------|
| Range | 0.2-1T 2-7T | Material quality | Alloy Steel |
| Output sensitivity | 2.0±10% mV/V | Impedance | 350 Ω |
| Zero point output | ±1% $F.S.$ | Insulation resistance | ≥5000 $M\Omega/100VDC$ |
| Nolinear | 0.03% $F.S.$ | Service voltage | 5-15V |
| Hysteresis | 0.03% $F.S.$ | Operating temperature range | -20-80 $^{\circ}C$ |
| Repeatability | 0.03% $F.S.$ | Safe overload | 150% |
| Creep (30 min) | 0.03% $F.S.$ | Extreme overload | 200% |
| Temperature sensitivity drift | 0.03% $F.S./10^{\circ}C$ | Cable line specifications | $\phi 5:0.2-1T/2m/2-7T/5m$ |
| Xero point temperature drift | 0.05% $F.S./10^{\circ}C$ | Cable limit tension | 10kg |
| Response frequency | 10kHz | TEDS | |

| Range | M | W | H | B |
|-----------|----------|----|----|----|
| 1-30kg | M8x1.25 | 62 | 58 | 12 |
| 50-200kg | M12x1.75 | 70 | 64 | 20 |
| 300-500kg | M12x1.75 | 70 | 64 | 20 |
| 1T | M16x2 | 70 | 64 | 25 |
| 2-7T | M20x2.5 | 84 | 92 | 32 |