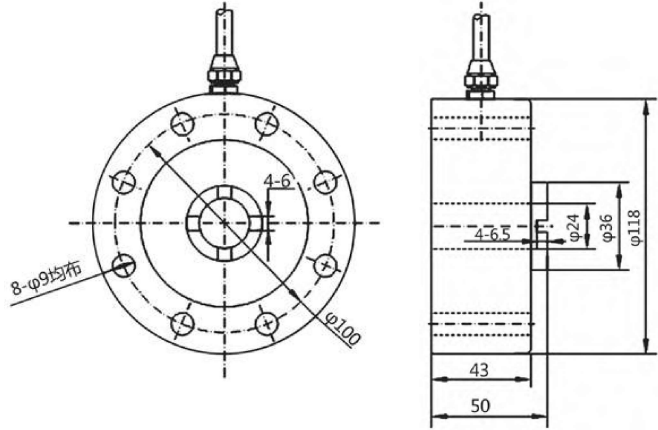


DYLF-104 Spoke type load cells



Product Reviews

Characteristic

It has a series of advantages, such as low height, high precision, good linearity, strong ability of partial load resistance and lateral force. It can measure pressure and tension, so it is very suitable for weighing and measuring force measurement. It is not sensitive to the change of the force position and the influence of the interference force. The stress distribution in the strain sensitive

area only changes with the size of the force. The process performance of the elastomer working area is good, including mechanical processing, pasting and sealing installation process. With low shape structure, convenient installation, good interchangeability, can improve the anti-bias load, make the operation state stable.

Application Area

- Universal material testing machine
- Hopper scale, automotive scale, rail scale, packaging scale, belt scale and other pull pressure test instruments
- Automation equipment field
- Test field

Parameters Table

Range	0-100kN	Material quality	Alloy Steel
Output sensitivity	2.0±10%mV/V	Impedance	700/1400Ω
Zero point output	±1%F.S.	Insulation resistance	≥5000MΩ/100V DC
Nolinear	0.05%F.S.	Service voltage	5-15V
Hysteresis	0.05%F.S.	Operating temperature range	-20-80°C
Repeatability	0.03%F.S.	Safe overload	150%
Creep (30 min)	0.03%F.S.	Extreme overload	200%
Temperature sensitivity drift	0.03%F.S./10°C	Cable line specifications	φ5x5m
Xero point temperature drift	0.05%F.S./10°C	Cable limit tension	10kg
Response frequency	10kHz	TEDS	

Range (kN)

10

20

30

50

100