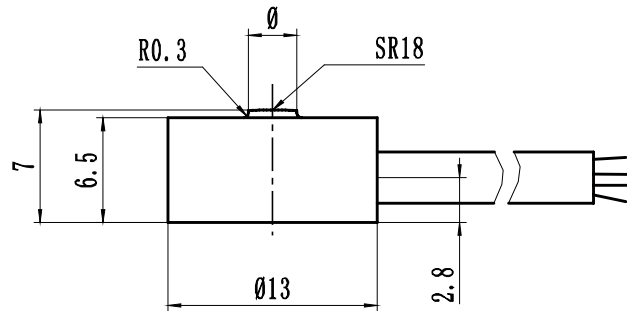


DYHW-113 Miniature load cells



Product Reviews

Characteristic

The sensor beam body is made of stainless steel material, with IP65 protection grade, low drift, compact structure, light weight, high precision, fast response speed, long service life, and strong anti-interference ability.

Application Area

Measurement and control of the force

- Measurement And Control Of The Force
- Automation Equipment
- Age Tester
- Key Force Analysis
- Power Device

Parameters Table

Range	1-200kg	Material quality	Stainless Steel
Output sensitivity	1.0-2.0mV/V	Impedance	500/1000Ω
Zero point output	±2%F.S.	Insulation resistance	≥5000MΩ/100VDC
Nolinear	0.5%F.S.	Service voltage	5-10v
Hysteresis	0.5%F.S.	Operating temperature range	-20-80°C
Repeatability	0.3%F.S.	Safe overload	150%
Creep (30 min)	0.1%F.S.	Extreme overload	200%
Temperature sensitivity drift	0.5%F.S./10°C	Cable line specifications	φ2x1m
Xero point temperature drift	0.5%F.S./10°C	Cable limit tension	10kg
Response frequency	10kHz	TEDS	Selectable

Range (kg)	Φ
5-20	Φ-2
30-200	Φ-3